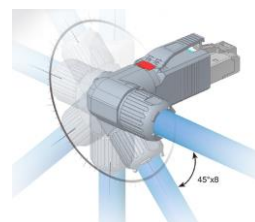
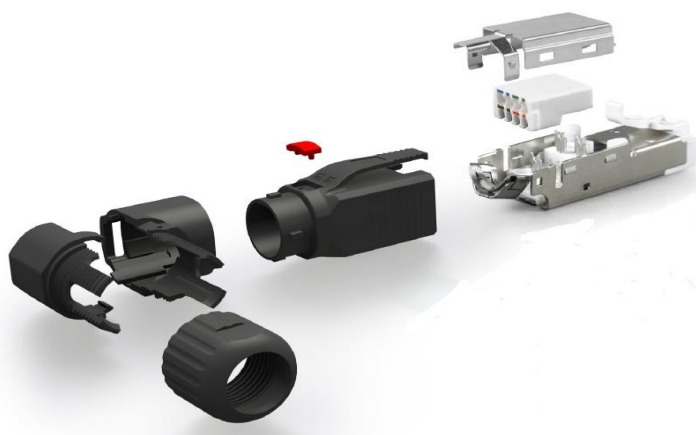


Field Connector RJ45, Cat.6A, angled, screened



FEATURES:

- Qualified Cat.6A performance according to: ISO 11801, EN 50173, ANSI/TIA 568.2-D
- Screened
- The highest quality guaranteeing large margins of transmission parameters over the requirements of the standards
- The best performance in conjunction with FibrainDATA connection modules
- Component complies to IEC 60603-7-51
- Efficient signal compensation inside a module
- Module construction equipped with an element for attaching the inserted cable without the use of cable ties
- IDC termination technology
- Pins covered with layer of gold
- Wire manager guaranty a minimal untwist of wire pairs
- Metal housing ensuring EMC 360° protection
- Color coding enabled
- Identification according 568B

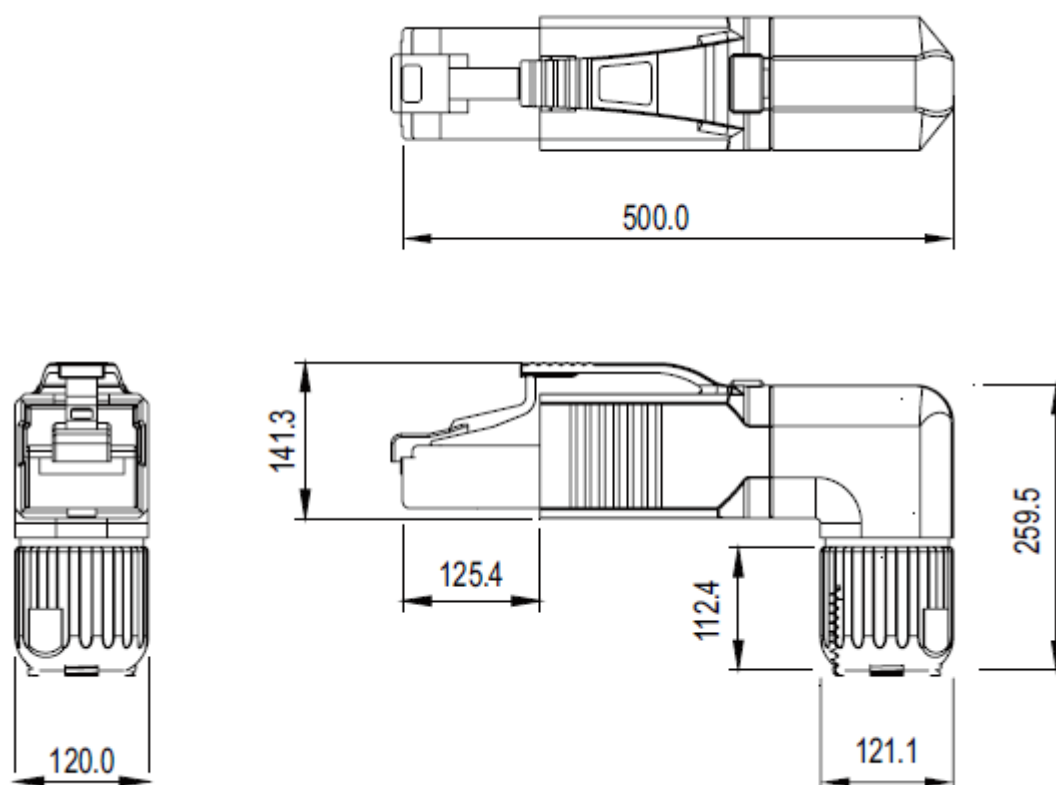
TECHNICAL PARAMETERS

Standardization	ISO 11801-x, EN 50173-x, TIA 568.2-D, IEC 60603-7-2
PoE	IEEE 802at type I & II, IEC 60512-99-001 (2012-08), IEC 60512-9-3 (2011-06)
Temperature range	-40 °C ÷ 68 °C
Transmission performance	Cat.6A
Shielding	Yes
Housing material	Metal
Max. Current rating [A]	1,5
Min. isolation resistance [MΩ]	500
Max DC resistance [Ω]	20
Material of pin contacts	CuSN
Pin contacts plating	Min 50 μm of gold layer, min 80 μm of nickel layer
Conductor diameter range (wire)	AWG 23 ÷ AWG 26
Conductor diameter range (stranded wires)	AWG 23/7 ÷ AWG 26/7
Cable diameter range	6,0 ÷ 8,5 mm
Mating cycles standard/typical	1000
Number of re-terminations	5

This document and the statements contained in it, are not intended for customers within the meaning of Civil Code. The information submitted in this document is to our knowledge and belief true at the time of issue, however, we do not assume any liability whatsoever for its accuracy, and completeness. This document is for informational purposes on an "as is" basis only, and Fibrain reserves the right to change its contents at any time without prior notice. The specification cannot in any case be considered an offer within the meaning of the Civil Code and is not contractually valid unless specifically authorized by Fibrain. Before using this product, its buyer and/or user has to make sure that it is suitable for the intended use. All liability issues related to this product are subjected to the seller's separate Terms of Sale or the terms and conditions agreed with the Fibrain representative or distributor.

Type:	Field Connector	MSO
Ref:	XR310	REV: 1
		T

DIMENSIONS:



ORDERING:

XR310 FibrainDATA Field connector, RJ45/s, angled, kat.6A