



FTS-M01M-S31L-002

SFP 100Base-FX, 1310nm, multi-mode, 2km



Description

FTS-M01M-S31L-002 series SFP transceiver can be used to setup a reliable, high speed serial data link over multi-mode fiber. Maximum link span over OM3 fiber can reach 2km. Module is fully compliant with SFP MSA specifications and it is available in four hardware versions

Model	DDMI	Operating case temperature
FTS-M01M-S31L-002	No	0~70°C
FTS-M01M-S31L-002D	Yes	0~70°C
FTS-M01M-S31L-002I	No	-40~85°C
FTS-M01M-S31L-002DI	Yes	-40~85°C

Host device can access module internal EEPROM memory and DDMI (when available) via I²C interface.

DDMI (Digital Diagnostic Monitoring Interface) is fully compliant with DOM. Transceiver can be prepared as compatible with: Cisco, HP, Netgear, Avaya, D-Link, Brocade, Extreme Networks, Huawei, Enterasys, 3Com, Alcatel-Lucent and other. To confirm compatibility please contact technical support before ordering.

Applications

- Fast Ethernet (125Mbps)
- OC-3 / STM 1
- Other optical connections



Key features

- LC Duplex receptacle
- Transmission distance up to 2km*
- Fabry-Perot laser diode 1310nm transmitter, PIN receiver
- Throughput up to 155Mb/s (Fast Ethernet, SONET/SDH)
- Fully compliant with SFP MSA INF-8074i rev. 1.0 and INF-8472 rev. 11.3 (where applicable)
- Hot-Pluggable
- RoHS compliant
- Class 1 laser safety
- Low power dissipation (<1W)
- Metal case for low EMI
- Operating case temperature* : 0~70°C / -40~85°C

Specification

Supported transmission technology

Fast Ethernet, SONET/SDH

Speed supported for Ethernet technology

155Mbps

Speed supported for Fibre Channel technology

N/A

Transmission medium

Multi-mode fiber 50/125µm or 62.5/125µm [on shorter distance]

Transmission distance**

2km (over 50/125µm multimode fiber)

Receptacle type

LC Duplex

Wavelength

1310nm

Output power

-15~-8dBm

Receiver sensitivity

-32dBm

Power supply voltage

3.3V

Total power consumption

< 1W

Operating environment – temperature*

0~70°C / -40~+85°C

Operating environment - humidity

5~95% non-condensing

Dimensions

55.6mm × 13.4mm × 8.5mm

* - standard / industrial version

** - transmission distance depends on optical link attenuation



Detailed technical specification

Pin Description

Pin	Name	Function/Description	Engagement order	Notes
1	VeeT	Transmitter Ground	1	-
2	TX Fault	Transmitter Fault Indication	3	1
3	TX Disable	Transmitter Disable-Module disables on high or open	3	2
4	MOD-DEF2	Module Definition 2-Two wire serial ID interface	3	3
5	MOD-DEF1	Module Definition 1-Two wire serial ID interface	3	3
6	MOD-DEF0	Module Definition 0-Grounded in module	3	3
7	Rate Select	Not Connected	3	
8	LOS	Loss of Signal	3	4
9	VeeR	Receiver Ground	1	-
10	VeeR	Receiver Ground	1	-
11	VeeR	Receiver Ground	1	-
12	RD-	Inverse Received Data out	3	5
13	RD+	Received Data out	3	5
14	VeeR	Receiver Ground	1	-
15	VccR	Receiver Power - +3.3V±5%	2	6
16	VccT	Transmitter Power - +3.3 V±5%	2	6
17	VeeT	Transmitter Ground	1	-
18	TD+	Transmitter Data In	3	7
19	TD-	Inverse Transmitter Data In	3	7
20	VeeT	Transmitter Ground	1	-

Notes:

- TX Fault is open collector/drain output which should be pulled up externally with a 4.7KΩ-10KΩ resistor on the host board. When high, this output indicates a laser fault of some kind. Low indicates normal operation.
- TX Disable input is used to shut down the laser output per the state table below. It is pulled up to Vcc within the module.
Low (0 – 0.8V): Transmitter on
Open or High (2.0 – VccT): Transmitter Disabled
- Mod-Def 0, 1, 2. These are the module definition pins. They should be pulled up to Vcc with a 4.7KΩ-10KΩ resistor on the host board
Mod-Def 0 is grounded by the module to indicate that the module is present.
Mod-Def 1 is clock line of two wire serial interface for optional serial ID.
Mod-Def 2 is data line of two wire serial interface for optional serial ID.
- LOS (Loss of signal) - when high, this output indicates the received optical power is below the worst case receiver sensitivity (as defined by the standard in use). Low indicates normal operation.
- These are the differential receiver outputs. They are AC coupled 100Ω differential lines which should be terminated with 100Ω differential at the user SERDES. The AC coupling is done inside the module and thus not required on the host board.
- VccR and VccT are the receiver and transmitter power supplies. They are defined as 3.3V±5% at the SFP connector pin. The in-rush current will typically be no more than 30mA above steady state supply current after 500ns.
- TD-/+: These are the differential transmitter inputs. They are AC coupled differential lines with 100Ω differential termination inside the module. The AC coupling is done inside the module and is thus not required on host board.



Electrical parameters

Parameter	Symbol	Min.	Typ.	Max.	Unit	Notes
Transmitter Differential Input Volt	+/-TX_DAT	300		2200	mV p-p	1
Receiver Differential Output Volt	+/-RX_DAT	600		1400	mV p-p	2
Tx_Disable Input Voltage – Low	V _{IL}	0		0.8	V	
Tx_Disable Input Voltage – High	V _{IH}	2.0		V _{CC}	V	
Tx_Fault Output Voltage – Low	V _{OL}	0		0.8	V	3
Tx_Fault Output Voltage – High	V _{OH}	2.0		V _{CC}	V	3
Rx_LOS Output Voltage- Low	V _{OL}	0		0.8	V	3
Rx_LOS Output Voltage- High	V _{OH}	2.0		V _{CC}	V	3
Throughput	B		1250		Mb/s	
Total current requirement				270	mA	

Transmitter parameters

Parameter	Symbol	Min.	Typ.	Max.	Unit	Notes
Central wavelength	λ_c	1270	1310	1360	nm	
Spectral width	$\Delta\lambda$			7.7	nm	
Launch optical power	P _o	-15		-8	dBm	4
Extinction ratio	EX	9			dB	
Dispersion penalty				1	dB	
Optical rise/fall time	T _{rise} /T _{fall}			700	ps	5
Eye diagram	Compliant with IEEE802.3-2005 Fast Ethernet 100BASE-FX					

Receiver parameters

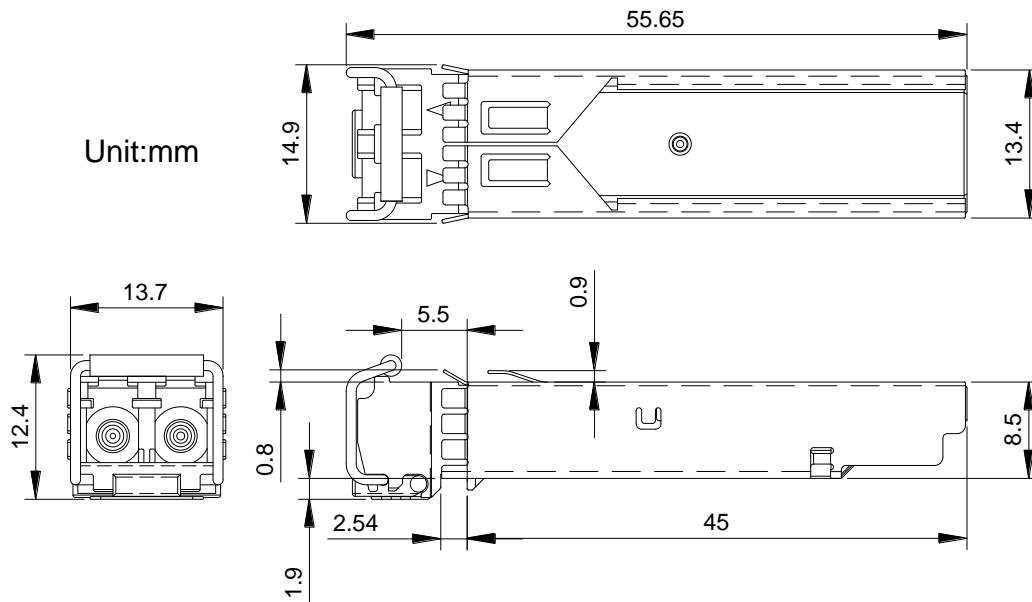
Parameter	Symbol	Min.	Typ.	Max.	Unit	Notes
Sensitivity	P _{min}			-32	dBm	6
Central wavelength	λ_c	1260		1600	nm	
Receiver overload	P _{MAX}	-8			dBm	6
RX_LOS Asserted	S _A	-45			dBm	
RX_LOS De-Asserted	S _D			-33	dBm	
RX_LOS Hysteresis	-		3.0		dB	
Optical return loss	ORL	12			dB	

Notes:

1. Internally AC coupled and terminated to 100Ω differential load.
2. Internally AC coupled, but requires a 100Ω differential termination or internal to Serializer/Deserializer.
3. It is open collector/drain output which should be pulled up externally to V_{CC} with a 4.7KΩ-10KΩ resistor on the host board. LOS: logic 0 indicates normal operation; logic 1 indicates no signal detected.
4. Optical power is launched into MMF
5. 20-80%
6. Measured with PRBS 2²³-1 at 10⁻¹² BER



Mechanical specification



Recommended environment conditions

Parameter	Symbol	Min	Typ	Max	Unit
Operating Temperature Range (industrial)	T	-40	-	85	°C
Operating Temperature Range (standard)	T	0	25	70	°C
Supply Voltage	V _{CC}	3.135	3.3	3.465	V
Relative Humidity	RH	5	-	95	%

Ordering information

- FTS-M01M-S31L-002– 1310nm, 2km, multi-mode, LC duplex, commercial temperature (0~70°C)
- FTS-M01M-S31L-002**D**– 1310nm, 2km, multi-mode, LC duplex, **DDMI**, commercial temperature (0~70°C)
- FTS-M01M-S31L-002**I**– 1310nm, 2km, multi-mode, LC duplex, **extended temperature** (-40~85°C)
- FTS-M01M-S31L-002**DI**– 1310nm, 2km, multi-mode, LC duplex, **DDMI, extended temperature** (-40~85°C)

For further information regarding host device PCB layout recommendation, power supply requirements, EEPROM memory map, DDMI specification please check:

[SFF-8472 - Description of EEPROM and Digital Diagnostic Monitoring Interface](#) and [INF-8074 - Technical specification for SFP transceiver](#)

Fibrain Sp. z o.o. reserves the right to make changes to the products or information contained herein without notice. No liability is assumed as a result of their use or application.

Pictures used for reference only, actual product look may differ. For most actual information please contact technical support via aktywa@fibrain.pl