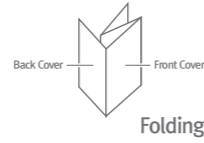


ONT QIG print specification

Color: ■ PANTONE 286C ■ Black
 Paper Material: White paper 150g
 Size: 105 x 148.5 mm (per 1 page)

— Cutting line
 — Folding line



4. Web Access

You can access the unit through a web browser by using the following steps.

- 1 Connect LAN port of the unit to your PC using Ethernet cable.
- 2 Configure IP assignment of your PC to DHCP (dynamic assignment). How to configure dynamic IP on your PC is as follows:

For Windows XP:

Start > Setting > Network Connections > Local Area Connection double click > Internet Protocol (TCP/IP) double click > Obtain an IP address automatically and Obtain DNS server address automatically selection > OK

For Windows 7:

Start > Control Panel > View network status and tasks under Network and Internet (View by: Category) > Change adapter settings on the left menu > Local Area Connection right-click > Properties > Internet Protocol Version 4 (TCP/IPv4) double click > Obtain an IP address automatically and Obtain DNS server address automatically selection > OK

The PC will be allocated IP address automatically through the unit.

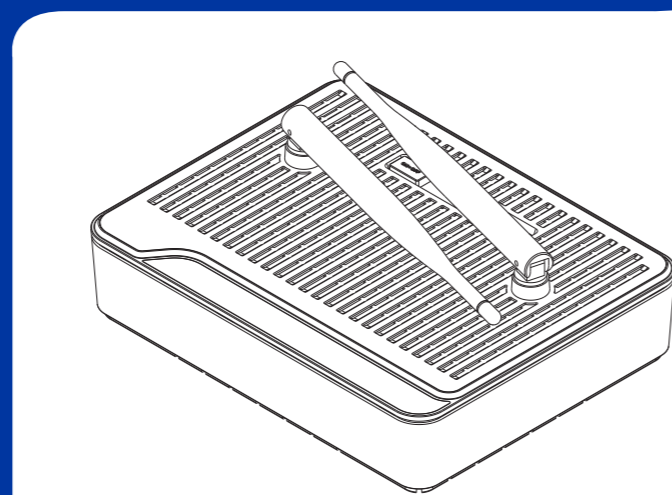
- 3 Open a web browser, and enter <http://192.168.55.1> in a URL field.
- 4 Type 'user/1234' in user name/password field, and log into the system. Initial page is displayed.

※ For a default SSID and password, please check a label on a side of your unit.

※ To change the SSID and/or password, move onto Wi-Fi Setup > Wi-Fi Settings on the web. And change them and click Save.

Maximum wireless signal rate derived from IEEE standard 802.11 specifications. Actual data throughput and wireless coverage will vary. Network conditions and environmental factors, including volume of network traffic, building materials and construction, and network overhead, lower actual data throughput rate and wireless coverage.

DASAN Network Solutions
 DASAN Tower, 49, Daewangpangyo-ro 644 Beon-gil, Bundang-gu, Seongnam-si, Gyeonggi-do, 463-400 KOREA



H660RW QIG (Quick Guide)

V3.1

GPON Optical Network Terminal (ONT) with VoIP & Video & Wi-Fi

Information furnished by DASAN Network Solutions is believed to be accurate and reliable. However, no responsibility is assumed by DASAN Network Solutions for its use, nor for any infringements of patents or other rights of third parties which may result from its use. No license is granted by implication or otherwise under any patent or patent rights of DASAN Network Solutions. DASAN Network Solutions reserves the rights to change specifications at any time without notice. Copyright © 2016 by DASAN Network Solutions. All rights reserved.

DASAN Network Solutions

1. Caution

Please follow the instructions below to avoid physical injury: You should not install the unit during a storm. Likewise you should not connect or disconnect any line to avoid the risk of electric shock. Lay the cables so that no one can step on them or trip over them. This section lists important information that will help you to get proper use of this unit and accessories. Please read the following instructions carefully before installing and operating your unit.

Caution & Warning

- This unit is indoor use and all the communication wirings are limited to inside of the building.
- DO NOT plug in, turn on or attempt to operate an obviously damaged unit.
- Never look directly at the fiber TX port and fiber cable ends when they are powered on.
- DO NOT use near water.
- DO NOT place near high temperature source.
- DO NOT disassemble the unit.
- DO NOT operate the unit in a location where the maximum ambient temperature exceeds 50°C.
- Open optical connections must use a protective cap under all circumstances to protect against physical damage and dirt.
- Before making connections, use isopropyl alcohol and non-fibrous cellulose to clean the faces of the connectors.
- Avoid impact stresses when handling connectors. Physical damage to the faces of optical connections impairs transmission quality (higher attenuation).
- Avoid a bend radius in excess of 30 mm for fiber optic links.
- Check the available voltage supply.
- Only use the unit in dry rooms.
- Set up the unit away from direct sunlight or other electrical equipment.
- Only connect approved accessories.
- It may only be repaired by authorized service personnel.

Limited Warranty

- Not covered under this warranty is defect and damage resulting from product disassembly by yourself. And also, such behavior may amount to intellectual property infringement.

- 1 -

2. Introduction

2.1 Package Contents

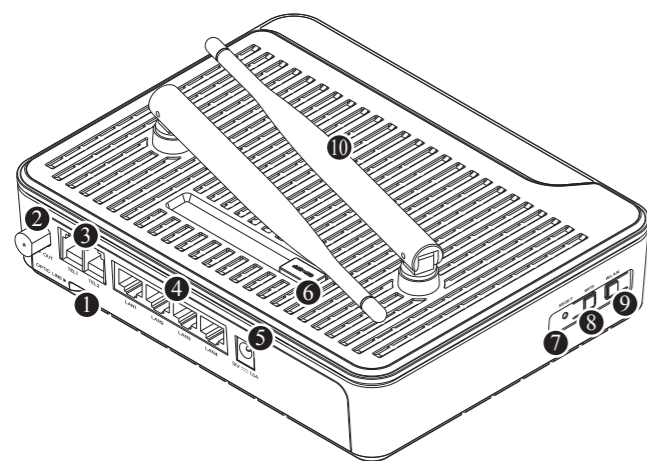
- H660RW
- Power Adapter
- RJ45 UTP Cable (CAT5e)
- QIG (Quick Guide)

2.2 Specification

Item	Specification
SDRAM	128MB
Flash Memory	128MB
Uplink Interface	1 GPON port (1G, SC/APC)
Service Interface	4 10/100/1000Base-T ports (RJ45)
VoIP Interface	2 FXS ports (RJ11)
Video Interface	1 RF Video port (F-connector, coax)
Wireless	External antenna IEEE 802.11b/g/n compliant Frequency: 2.4GHz Two Transmit and Two Receive path (2T2R)
LED	PWR, PON, ALM, Internet, TEL1~2, WLAN, WPS, LAN1~4, CATV
Power Adapter	Output: 12VDC/1.5A
Operating Temp.	-5 to +50°C
Operating Humidity	20 to 90% (non-condensing)
Dimensions (W x D x H)	190 x 150 x 66 mm (antennas folded)
Button	ON/OFF power, WLAN, WPS, RESET

- 2 -

2.3 Rear View



Item	Description
1 OPTIC LINE	Connect optical network.
2 F-Connector	Connect TV.
3 TEL1~2	Connect VoIP telephone.
4 LAN1~4	Connect PC or LAN.
5 Power Port	Connect power adapter.
6 ON/OFF	Turn on/off the unit.
7 RESET	Reboot the unit.
8 WPS	Enable WPS process.
9 WLAN	Enable Wi-Fi function.
10 Antennas	Transmit and receive Wi-Fi packets.

- 3 -

2.4 Front View (LEDs)



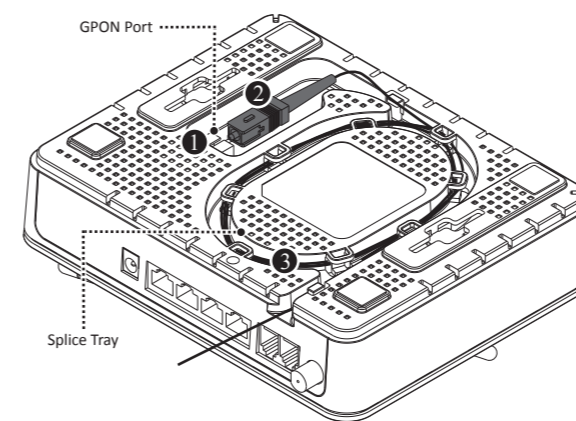
Label	Light	Status	Description
PWR	Green	On	The system is turned on.
		Off	The system is turned off.
PON	Red	On	No optic signal. And the unit has not been registered.
		On	Optic signal normal. Normally registered.
		Blink	Firmware being downloaded. DO NOT turn off the unit.
ALM	Orange	On	Normally registered. But profiles Not being applied.
		On	No optical signal, firmware update fail or other faults.
		Blink	BIP errors were detected. Check that optic cable is in good condition and fully inserted.
		Blink	Loopback test being performed.
Internet	Green	Off	ONT normally operating.
		On	Configuration is finished.
		Off	Configuration is not finished.
TEL1~2	Green	On	Hook off
		Off	Hook on
WLAN	Green	On	Wi-Fi function enabled.
		Off	Wi-Fi function disabled.
WPS	Green	Blink	In progress
		On	Success (for 5 seconds)
		Off	Disabled or process finished successfully

- 4 -

LAN 1~4	Green	On	The 1G port link is up.
		Blink	The 1G transmit or receive activity is present on the service port.
	Orange	On	The 10/100M port link is up.
		Blink	The 10/100M transmit or receive activity is present on the service port.
	Off	Link is down.	
CATV	Green	On	Power in -8 to 2 dBm
		Red	Power in <-8 dBm or > 2 dBm
	Off	Admin disabled	

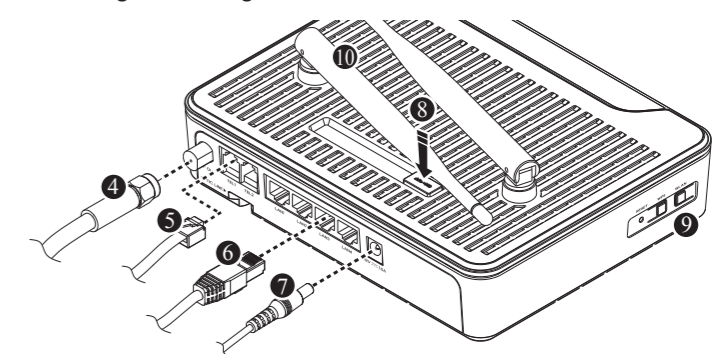
3. Installation

- 1 Remove the protective cap of GPON port.
- 2 Connect an SC/APC connector optic cable to the port.
- 3 And then connect optic line on splice tray, not to give damage to GPON connection due to any possible pull.



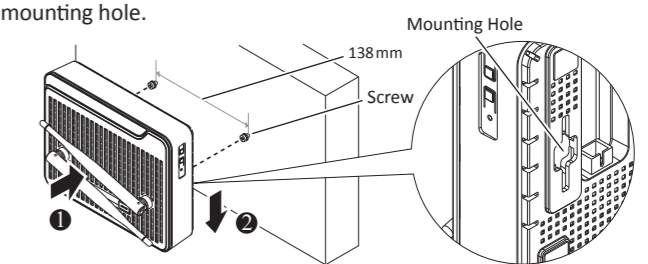
- 5 -

- 4 Connect a coaxial cable from RF OUT port to TV.
- 5 Connect the telco cable from TEL port to VoIP phone.
- 6 Connect the Ethernet cable from LAN port to PC.
- 7 Connect a power adapter from power port to a live AC outlet.
- 8 Turn on the unit by pushing the power button.
- 9 Push WLAN button to enable Wi-Fi.
- 10 Adjust antenna direction for better wireless communication. You can make antennas oblique outside or inside the body by tilting and rotating them.



Mounting on a Wall

If necessary, you may have your ONT mounted on a wall using mounting hole.



- 6 -