

Type:	Pole holder with cable reserve frame	REV: 1.2
Ref:	SZ-D-S8-ZN	
Date:	06.04.2020	DP
Modification:	15.04.2021	DP

## Distribution fiber

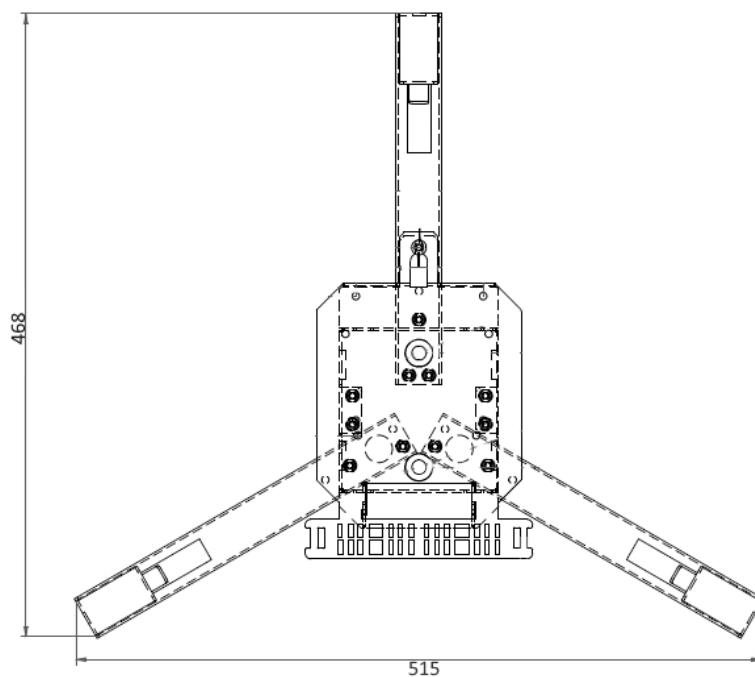
Fibrain **SZ-D-S8-ZN** pole holder with cable reserve frame for OBP-S8



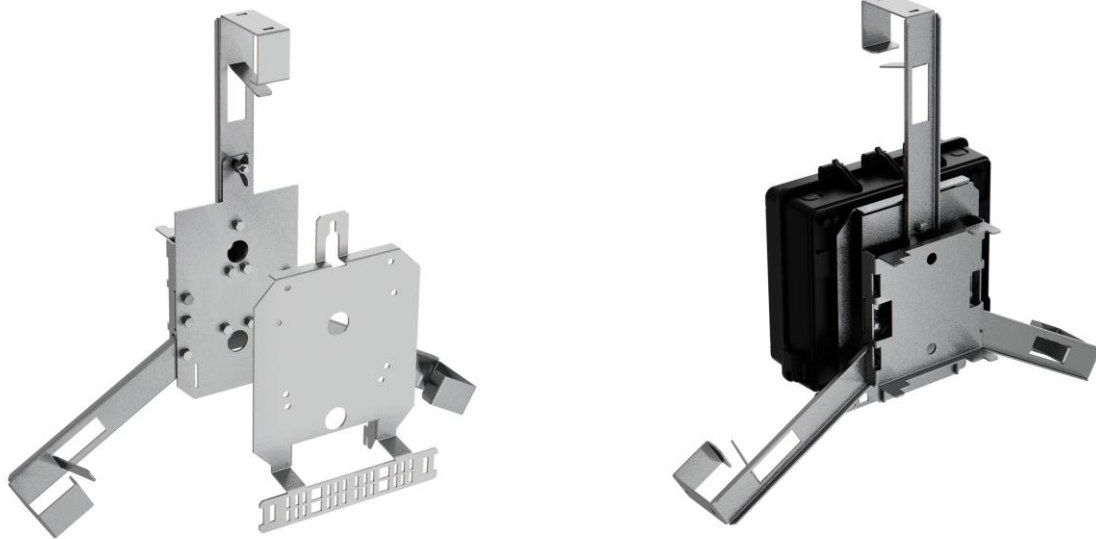
### DESCRIPTION:

- Easy access to stored cable
- Made of galvanized steel
- Fastening the holder to the pole with a hoop
- Enables quick removal of the distribution box from the holder without the use of tools
- The handle enables the assembly of OBP-S8 boxes

### TECHNICAL SPECIFICATION:



Type:	Pole holder with cable reserve frame	REV: 1.2
Ref:	SZ-D-S8-ZN	
Date:	06.04.2020	DP
Modification:	15.04.2021	DP



### ORDERING INFORMATION:

SZ-D-S8-ZN

Fibrain pole holder with cable reserve frame for OBP-S8 distribution box

*This document and the statements contained in it, are not intended for customers within the meaning of Civil Code. The information submitted in this document is to our knowledge and belief true at the time of issue, however, we do not assume any liability whatsoever for its accuracy, and completeness. This document is for informational purposes on an "as is" basis only, and Fibrain reserves the right to change its contents at any time without prior notice. The specification cannot in any case be considered an offer within the meaning of the Civil Code and is not contractually valid unless specifically authorized by Fibrain. Before using this product, its buyer and/or user has to make sure that it is suitable for the intended use. All liability issues related to this product are subjected to the seller's separate Terms of Sale or the terms and conditions agreed with the Fibrain representative or distributor.*