

Title: Multipatchcords - additional information

Revision	Date	Description	Issued	Verified	Approved
1.0	31.07.2019		KG-B	AŁ	AŁ
1.1	07.10.2019	3 cables added, change of graphics, MB and MD furcations added	KG-B	AŁ	AŁ

Multipatchcords - additional information

Table of contents

I. List of cables	2
II. Furcation schemes.....	Błąd! Nie zdefiniowano zakładki.
III. Glands and threaded flex cable protection	3
IV. Furcations and cascades	7
V. Types of output legs protection.....	8
VI. Corrugated tubes for Multipatchcords Compact.....	9

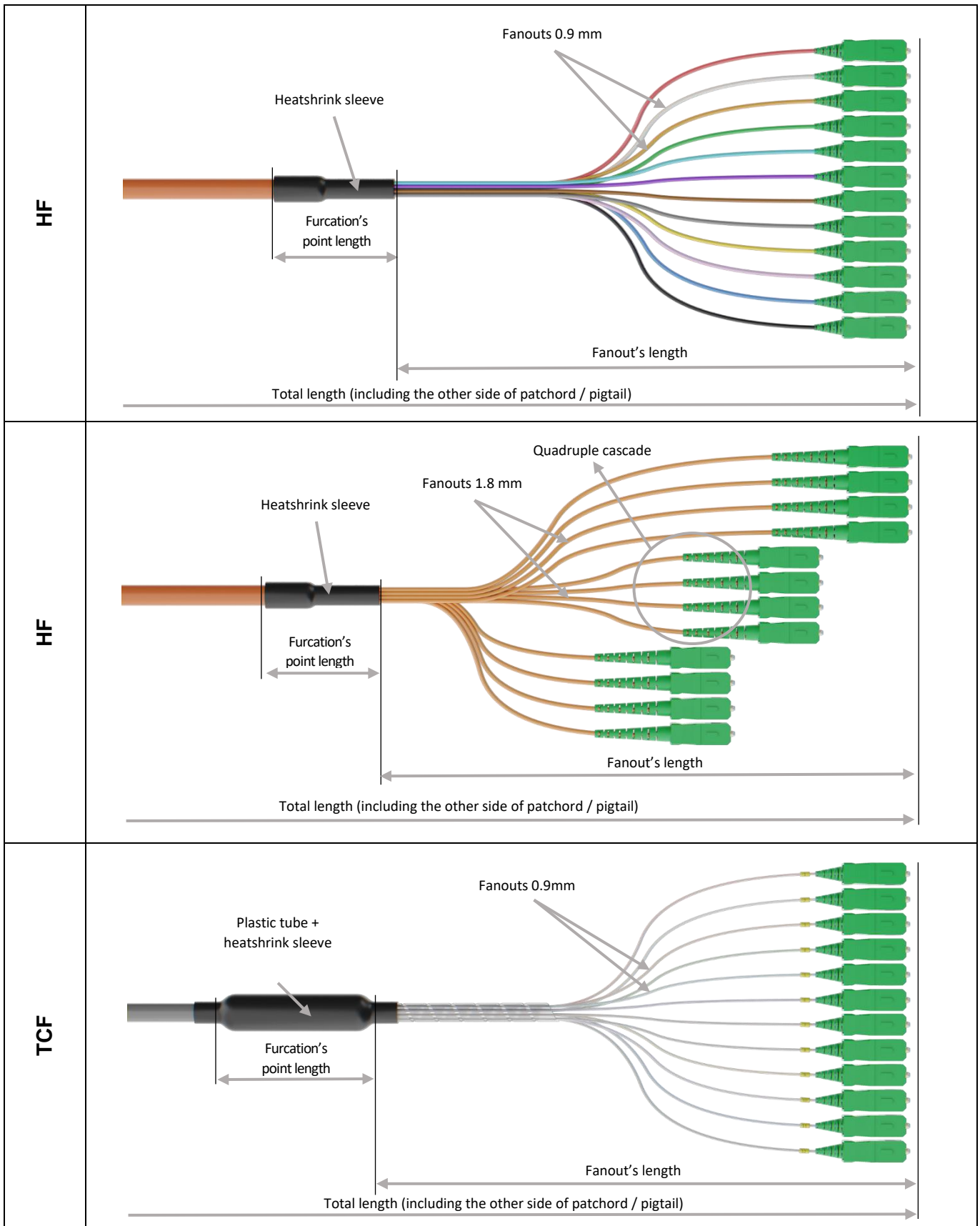
Title: Multipatchcords - additional information

I. List of cables

	CABLE	TYPE OF FURCATION					
		TCF	TEF	TEFM	PTF	HF	Other
01	DC-PRIM	√*	√				
02	DC-DRIM	√	√				
03	LDC		√			√	
04	LBR					√	
05	EXO-FI-LSOH	√	√		√		MB
06	EXO-FI-PE	√	√		√		MB
07	EXO-GU-LSOH	√	√		√		MB
08	EXO-GU-PE	√	√		√		MB
09	EXO-G0-LSOH	√	√	√	√		MB
10	EXO-G0-PE	√	√	√	√		MB
11	EXO-GI-LSOH	√	√	√	√		MB
12	EXO-GI-PE	√	√	√	√		MB
13	Burry DAC		√	√			
14	BURRY-DAC-G		√	√			
15	BDC-MSA-LSOH		√				
16	BDC-MSA-PE		√				
17	BDC C0 PE		√				
18	BDC C0-LSOH		√				
19	BDC CI-LSOH		√				
20	BDC CI-PE		√				
21	BDC-CK PE		√				
22	MDC-FM LSOH		√				
23	MDC-FM PE		√				
24	Aero DF 03		√				
25	Aero AS04 tuba 2 0		√				
26	FTTA DAC		√	√			
27	BDC-CIP (PE)		√				
28	LDC-PUR						MM
29	EXO-C0-LSOH	√	√		√		MB
30	EAC-Ras						MD02
31	EAC-Ram						MD02
32	MDC-FM LSOH TMG		√				
33	CDAD		√				
34	SSC-T30U PE		√				

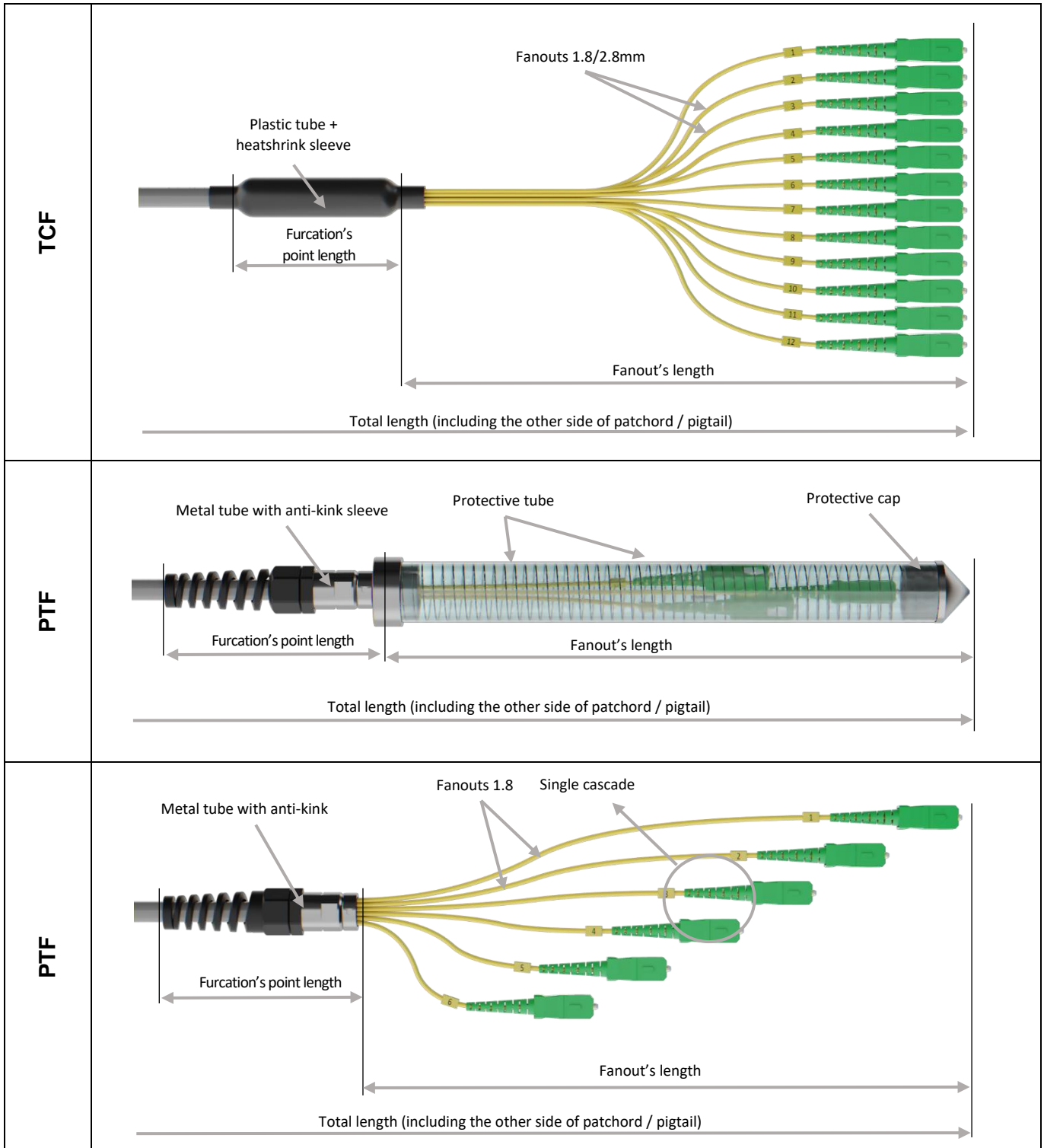
* only fanouts 900 μm

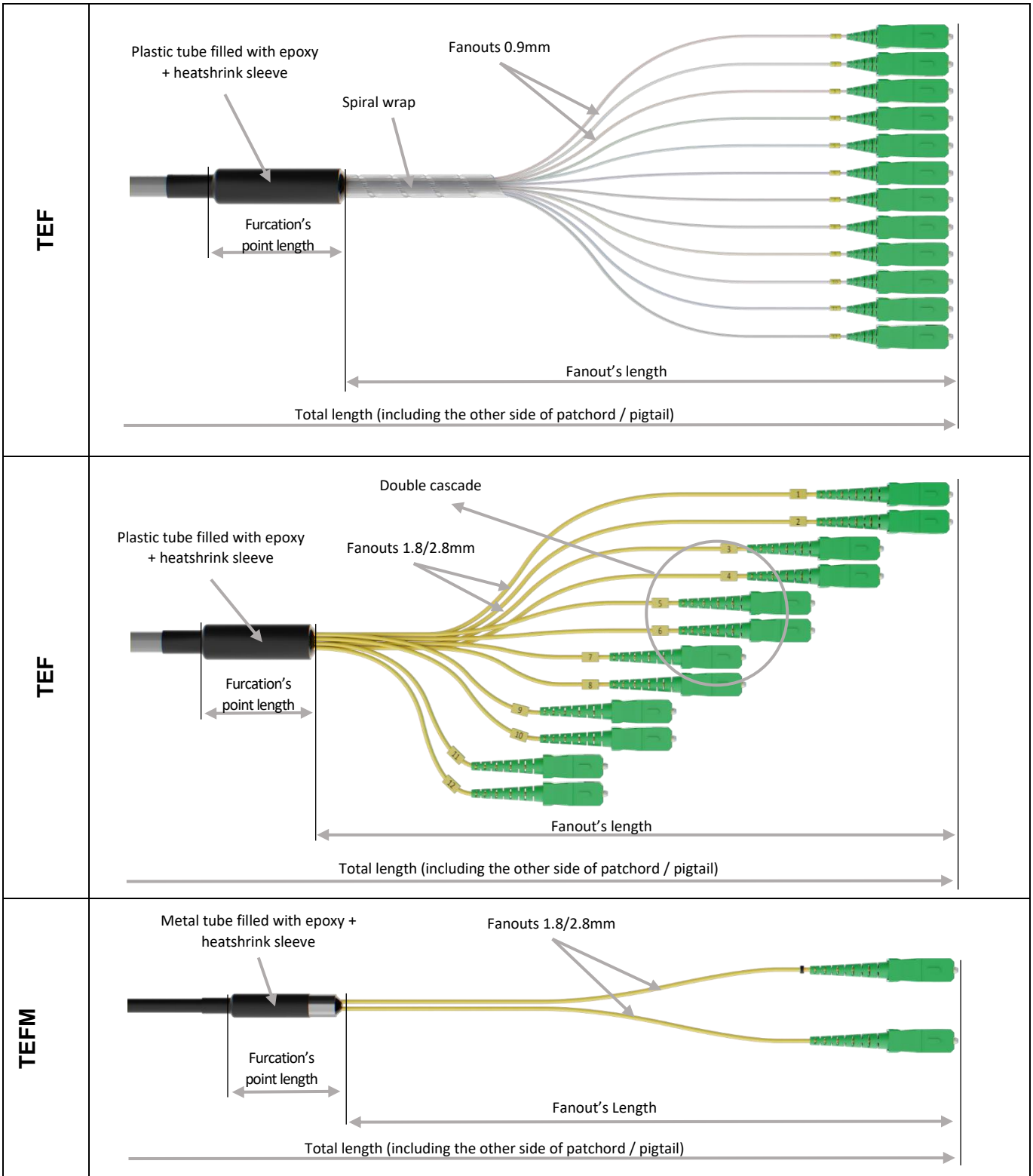
I. Furcation's schemes



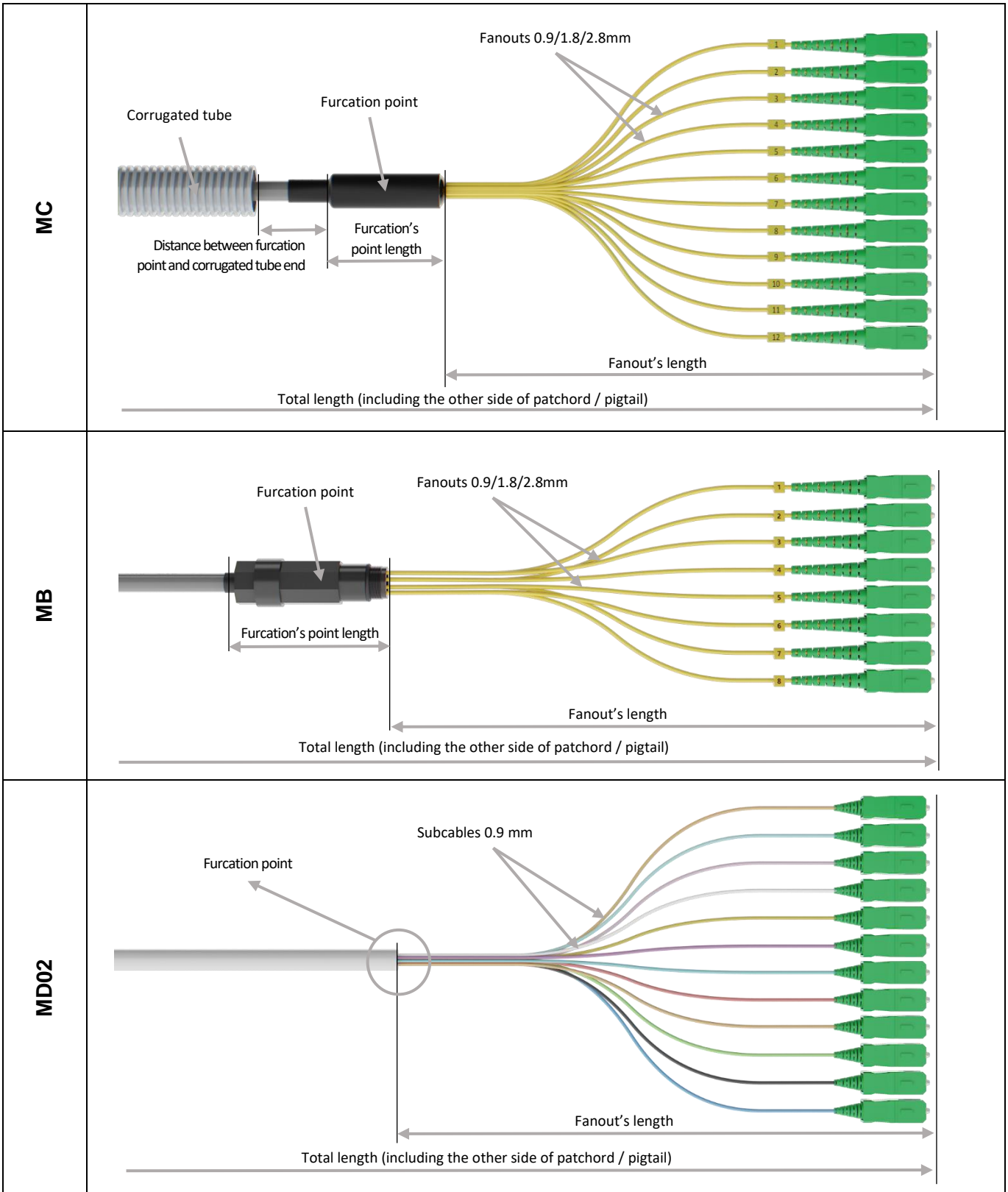
Title:

Multipatchcords - additional information







Title: Multipatchcords - additional information



Title: Multipatchcords - additional information

II. Glands and threaded flex cable protection

Size of glands	Cable diameter [mm]	Example photo
Pg7	3-4	
Pg11	5	
Pg13.5*	6-12	
Pg16*	13-14	
Threaded flex cable protection with nut	4-8	

* thread sizes compatible with FIBRAIN patchpanels

III. Furcations and cascades

- The length of the output legs may be a minimum of 30 cm and a maximum of 200 cm.
- Cascade types:
 - Single cascade – each furcation leg shorter by 3,5 cm than previous one
 - Double cascade – every two furcation legs shorter by 3,5 cm than previous ones
 - Quadruple cascade - every four furcation legs shorter by 3,5 cm than previous ones
- In case of cascade furcation, the nominal length equals the longest leg length.
- Due to the restrictions on length, the types of cascades can have the maximum number of legs: single - 48, double - 96, quadruple – 144.
- Minimal cascade furcation length (the longest leg length) is determined by the formula:

Min. furcation length = 26.5 cm + cascade steps number x 3,5 cm




Cascade steps number is determined by dividing the number of legs by the number defining the type of cascade. E.g. For 12 legs in quadruple cascade the number of steps is 3 (12/4=3).

For example: Furcation with 24 connectors/legs in double cascade must have minimum length of 69 cm, because:

Minimum furcation length = 26,5 cm + 12 x 3,5 cm = 68,5 cm. Therefore minimum furcation length after rounding up to integer equals 69 cm.

Title: Multipatchcords - additional information

IV. Types of output legs protection.

Type	Size [mm]	Max connector qty. with no cascade	Available cascades
Corrugated tube	25/19	2	1-, 2-,
	32/24,5	4	1-, 2-, 4-,
	50/42	12	1-, 2-, 4-,
	75/64	36	-
	110/100	72	-
			
Foil sleeve (with or without a loop for pulling through)	FI 24	2	1-, 2-,
	FI 40	12	1-, 2-, 4-,
	FI 80	13-48	1-, 2-, 4-,
			
Elastic protection sleeve with a loop for pulling through	20MM	2	1-, 2-,
	40MM	12	1-, 2-, 4-,
	50MM	24	1-, 2-, 4-,
			

Title: Multipatchcords - additional information

V. Corrugated tubes for Multipatchcords Compact

Corrugated tubes types and features

PVC	PA 6
Compressive strength 320N, under plaster installations Compressive strength 750N – strengthened type, concrete installation Operating temperature: -5 to +60°C Self-extinguishing, flame classification UL94-V0 Colour: grey	Halogen free High flexibility Wide range of sizes Operating temperature: -40 to +120°C Self-extinguishing, flame classification UL94-V2 Colour: black

Corrugated tubes sizes

Corrugated tube type	TUBE NUMBER (outer diameter)	DIMENSIONS [mm] (outer/inner diameter.)	Max cable diameter [mm]
1 - PVC Standard	16	16/11	8
	20	20/14	11
2 - PVC Strengthened	16	16/11	8
3 - PA6	13	13/10	7
	16	15.7/12.3	9,3
	21	21/16.6	13,6