

| | | |
|---------------|--------------------------------|----------|
| Type: | Cassette HD with PLC splitters | REV: 1.0 |
| Date: | 20/05/2021 | BZ |
| Modification: | | |
| Reference: | XM-, see ref.system below | |

Passive Optical Network

Cassette HD with PLC splitters

Splitters made in the PLC technology placed in the HD fibre cassette allow dividing of optical power with minimal excess loss. The type and number of splitters in the cassette are customized to match customer's requirements. The modular design and Plug&Play solution ensures simple installation and fits into a single slot in the HD chassis. The cassette can be fitted with up to 12 SC simplex, LC duplex and E2000 simplex adapters.



*illustrative photo

APPLICATION FIELDS:

- ✓ FTTH access networks
- ✓ HFC and cable networks
- ✓ Other optical telecommunication networks

FEATURES AND ADVANTAGES:

- ✓ Low insertion loss
- ✓ High attenuation uniformity
- ✓ Low excess losses
- ✓ Operating range 1260-1650 nm
- ✓ Cassette height: 1/2U
- ✓ Splitters and adapters types according to customer needs

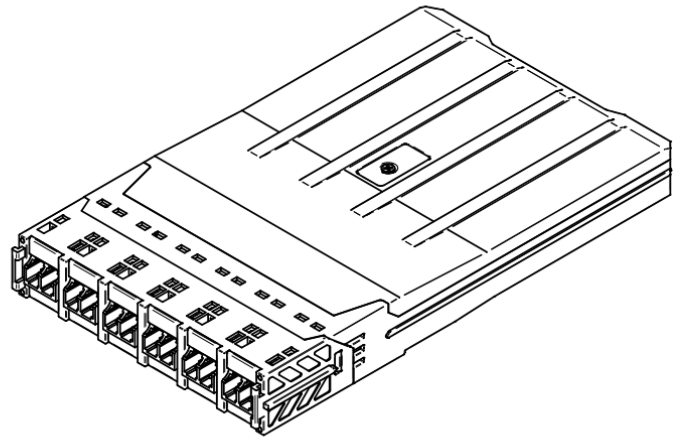
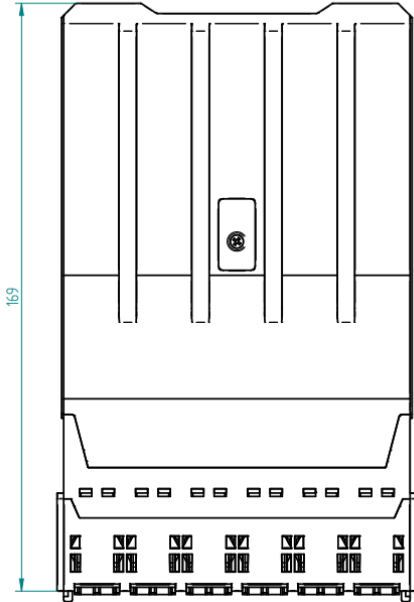
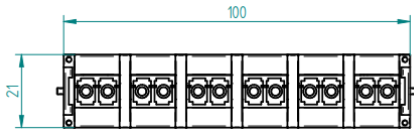
TECHNICAL SPECIFICATIONS:

| Parameter | Unit | Value | | | | | | |
|--|-------------------|----------------|------|------|-----|------|------|------|
| | | 1x2 | 1x3 | 1x4 | 1x6 | 1x8 | 1x12 | 1x16 |
| Max. insertion loss(with connectors) | dB | 4.1 | 6.6 | 7.5 | 9.7 | 10.8 | 12.6 | 14.0 |
| Max. attenuation nonuniformity (with connectors) | dB | 0.35 | 0.55 | 0.55 | 0.7 | 0.7 | 0.9 | 0.9 |
| Max. PDL | dB | 0.2 | 0.2 | 0.2 | 0.2 | 0.2 | 0.2 | 0.2 |
| Max. number of splitters in HD cassette ¹ | SC/SCA/ E2/E2A | 4 | 3 | 2 | 1 | 1 | - | - |
| | LC/LCA | 8 | 6 | 4 | 3 | 2 | 1 | 1 |
| Min. return loss | dB | 55 | | | | | | |
| Min. directivity | dB | 55 | | | | | | |
| Spectral operating range | nm | 1260 – 1650 | | | | | | |
| Temperature operating range | °C | -40/+85 | | | | | | |
| Fiber type | | G.657.A2 | | | | | | |
| Dimensions | mm | 169 x 100 x 21 | | | | | | |

¹ Customized splitters configurations on request

| | | |
|---------------|--------------------------------|----------|
| Type: | Cassette HD with PLC splitters | REV: 1.0 |
| Date: | 20/05/2021 | BZ |
| Modification: | | |
| Reference: | XM-, see ref.system below | |

Passive Optical Network



ORDERING INFORMATION:

| Series | Quality | Fiber type | Quantity | Split ratio | Type | Operating range | Power distribution | Input connector | Output connector |
|--------|---------|--------------|----------|-------------|---------|-----------------|--------------------|-----------------|------------------|
| XM | G0 | 2 - G.657.A2 | 4 | 012-1x2 | P - PLC | F – full band | EVEN – symmetrical | SCA | SCA |
| | | | 8 | 012-1x2 | | | | SC | SC |
| | | | 3 | 013-1x3 | | | | LCA | LCA |
| | | | 6 | 013-1x3 | | | | LC | LC |
| | | | 2 | 014-1x4 | | | | E2A | E2A |
| | | | 4 | 014-1x4 | | | | E20 | E20 |
| | | | 1 | 016-1x6 | | | | | |
| | | | 3 | 016-1x6 | | | | | |
| | | | 1 | 018-1x8 | | | | | |
| | | | 2 | 018-1x8 | | | | | |
| | | | 1 | 112-1x12 | | | | | |
| | | | 1 | 116-1x16 | | | | | |

Example reference: XM-G0-2-8012-P-F-EVEN-SCA-SCA – Cassette HD equipped with 8 PLC splitters 1x2, SC/APC input and output connectors

Important notice

Buyer and/or user of this product has to make sure before using this product that it is suitable for the intended use. All questions of liability relating to this product are subject – in accordance with the prevailing – to the Term of Sale of the selling Fibrain subsidiary.